

# EO-CAP Polymer Capacitors

## Overview

Electrolytic Organic Capacitors EO-CAP are solid polymer aluminum electrolytic capacitors ideal for high bulk capacitance capable of delivering high ripple currents. Featuring ultra-low ESR as low as 10 mΩ, stable across operating temperature and frequency. EO-CAP are rated for high ripple current ranging from 1.2A up to 7.7A. Operational life increases by a factor of 10x for every 20°C drop in operating temperature starting at a maximum temperature of 105°C.

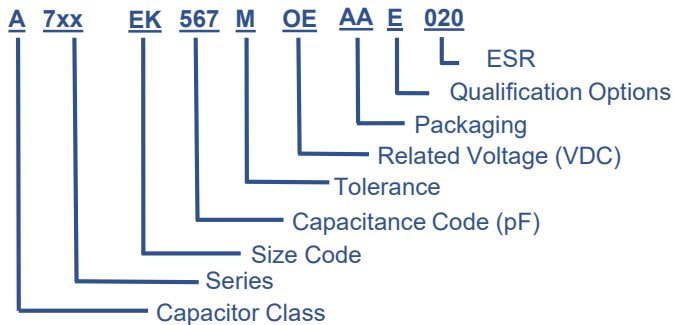
## Features

- Solid Cathode System
- Low ESR
- High Ripple Current
- Halogen-Free
- AEC-Q200 (for A768 ≤ 63V)
- 30g Anti-Vibration (for 10mm diam.)
- Long Life

## Applications

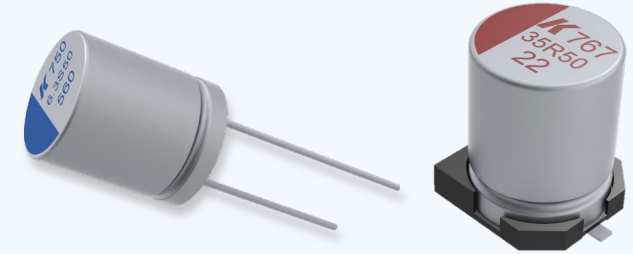
- Power Supplies
- DC Power Distribution
- Power Amplifiers
- Lighting
- AC to DC Converters
- Gate drivers

## Part Number System



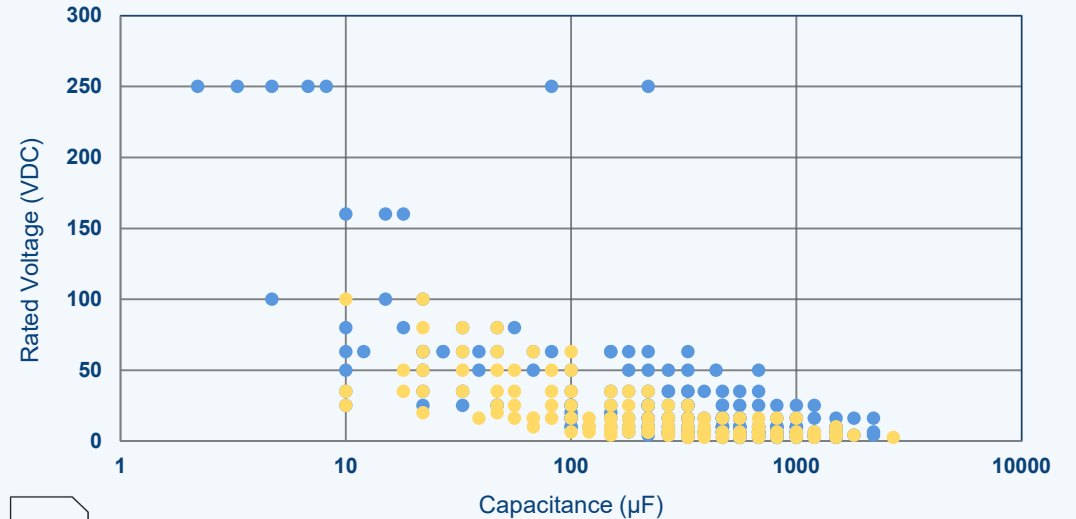
## Electrical Characteristics

Capacitance	2.2 μF to 2,700 μF
Operating Temperature	-55°C to 125°C
Voltage Rating	2.5 VDC to 250 VDC
Operating Lifetime	Up to 5,000 hrs at 105°C

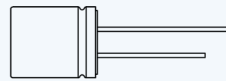


## Voltage and Capacitance Offerings

- TH
- SMD



## Series Options



### Through-hole

- A750 Base model
- A755 Longer life
- A758 Miniature
- A759 High temperature and voltage



### Surface Mount

- A765 Base model
- A767 Higher voltage
- A766 Longer life
- A768 High temperature

# KEMET

[ec.kemet.com/polymer](http://ec.kemet.com/polymer)