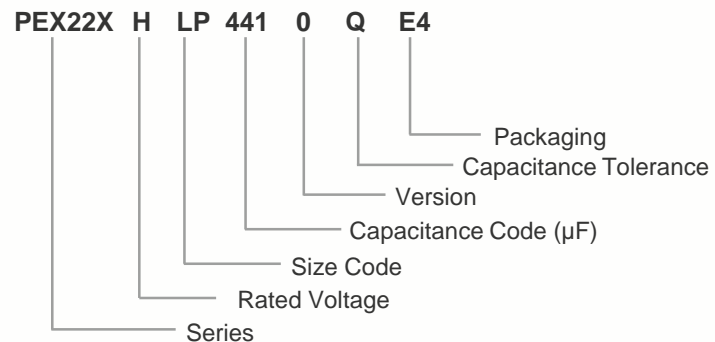


Overview

KEMET's PES227, PES228, PEV227 and PEV228 are a series of Ultra-High CV Surface-Mount electrolytic capacitors with outstanding electrical performance and high energy storage capability. They have a polarized all-welded design, tinned copper wire leads, and a negative pole connected to the case. The capacitor's winding is housed in a cylindrical aluminum can, with a high purity aluminum lid and a high-quality rubber gasket. The low ESR is the result of a low resistive electrolyte/paper system and an all-welded design.

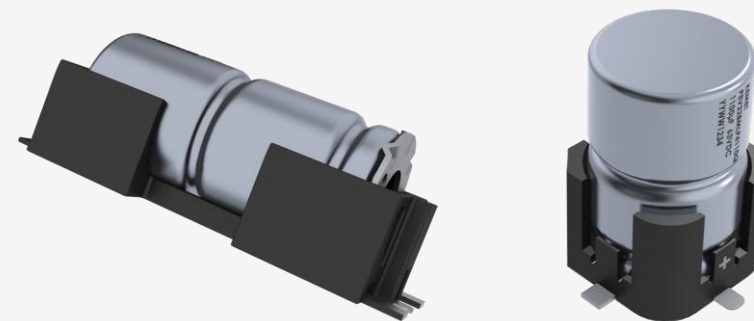
Part Number System



Radial Crown SMD Aluminum Electrolytic Capacitors

Electrical Characteristics

- 25 – 63 VDC
- Ultra-High CV
- AEC-Q200
- 2,000 hours at 150°C
- Extremely High Ripple Current
- High Vibration Resistance (without clamping)



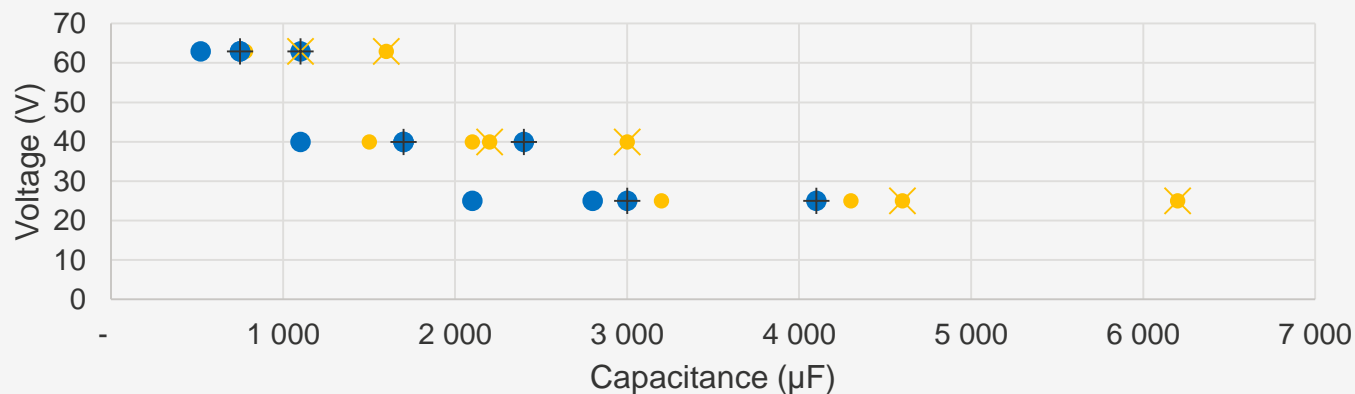
Horizontal
Radial Crown SMD
PES227 & PES228

Vertical
Radial Crown SMD
PEV227 & PEV228

Applications

- Automotive
- Mobile and Aircraft installations

Voltage and Capacitance Offerings



● Vertical PEV227 ● Vertical PEV228 × Horizontal PES227 + Horizontal PES228

